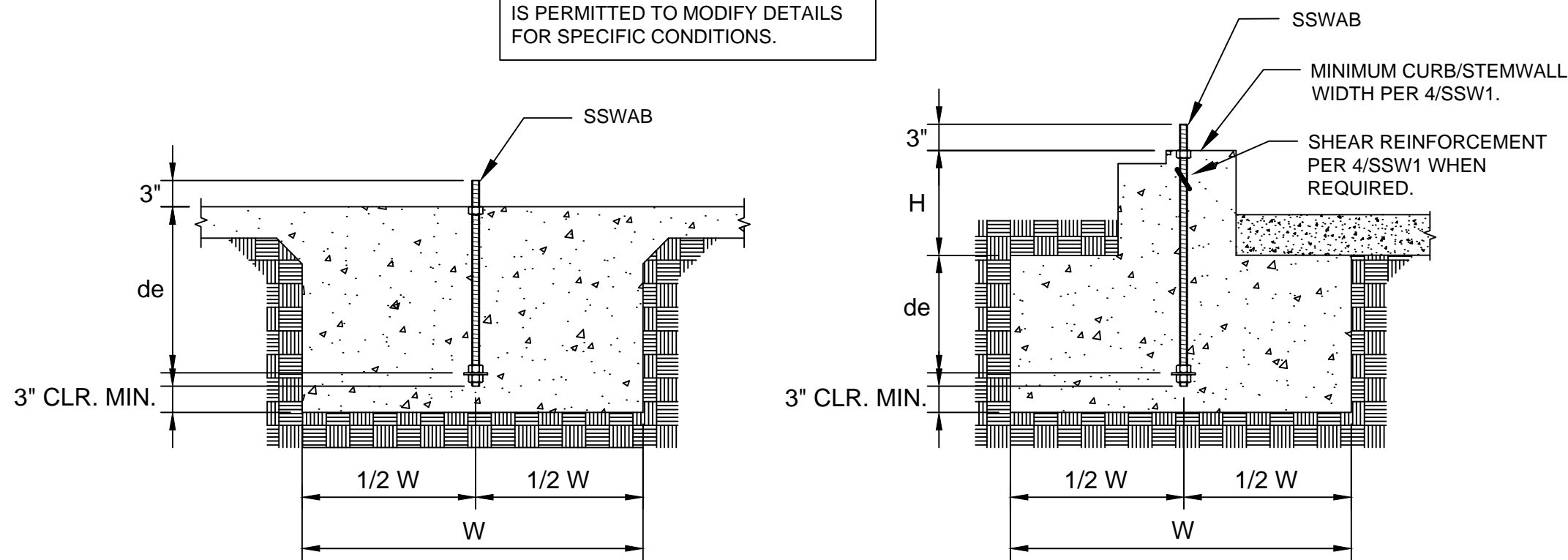


SLAB ON GRADE FOUNDATION

CURB OR STEMWALL FOUNDATION

REGISTERED DESIGN PROFESSIONAL IS PERMITTED TO MODIFY DETAILS FOR SPECIFIC CONDITIONS.



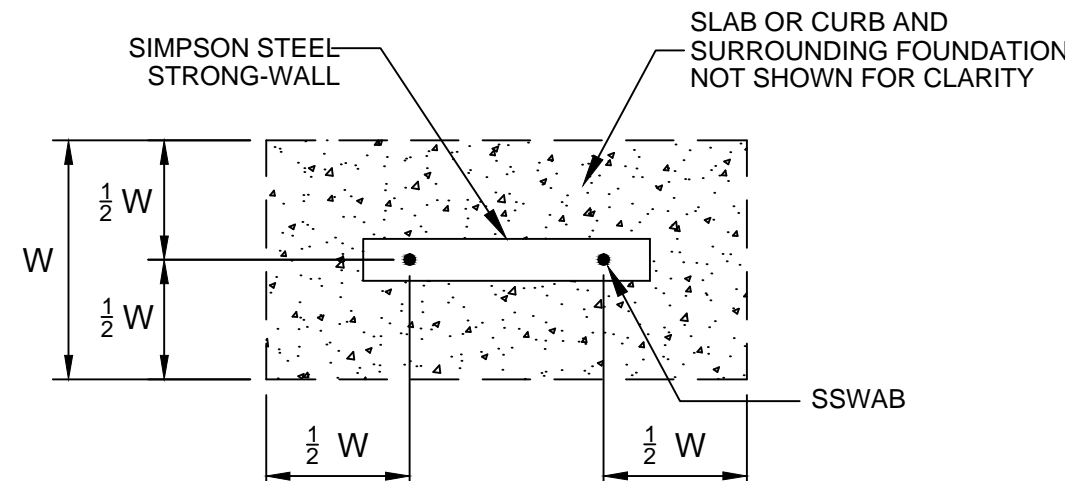
INTERIOR FOUNDATION

BRICK LEDGE FOUNDATION

- NOTES:  
 1. SEE 2/SSW1 AND 3/SSW1 FOR DIMENSIONS AND ADDITIONAL NOTES.  
 2. SEE 4/SSW1 FOR SHEAR REINFORCEMENT WHEN REQUIRED.  
 3. MAXIMUM H = l<sub>e</sub> - d<sub>e</sub>. SEE 5/SSW1 AND 6/SSW1 FOR l<sub>e</sub>.

STEEL STRONG-WALL ANCHORAGE - TYPICAL SECTIONS

1



SEE TABLES BELOW FOR DIMENSIONS  
FOUNDATION PLAN VIEW

STEEL STRONG-WALL ANCHORAGE SOLUTIONS FOR 2500 PSI CONCRETE									
DESIGN CRITERIA	CONCRETE CONDITION	ANCHOR STRENGTH	SSWAB 3/4" ANCHOR BOLT			SSWAB 1" ANCHOR BOLT			
			ASD ALLOWABLE UPLIFT (lbs)	W (in)	d <sub>e</sub> (in)	ASD ALLOWABLE UPLIFT (lbs)	W (in)	d <sub>e</sub> (in)	
SEISMIC	CRACKED	STANDARD	8,800	22	8	16,100	33	11	
		HIGH STRENGTH	9,600	24	8	17,100	35	12	
			18,500	36	12	33,000	51	17	
	UNCRAKED	STANDARD	19,900	38	13	35,300	54	18	
		HIGH STRENGTH	8,800	19	7	15,700	28	10	
			9,600	21	7	17,100	30	10	
WIND	CRACKED	STANDARD	18,300	31	11	32,300	44	15	
		HIGH STRENGTH	19,900	33	11	35,300	47	16	
			5,100	14	6	6,200	16	6	
		UNCRAKED	STANDARD	7,400	18	6	11,400	24	8
			HIGH STRENGTH	9,600	22	8	17,100	32	11
				11,400	24	8	21,100	36	12
	13,600		27	9	27,300	42	14		
	UNCRAKED	STANDARD	15,900	30	10	31,800	46	16	
			19,900	35	12	35,300	50	17	
		HIGH STRENGTH	5,000	12	6	6,400	14	6	
			7,800	16	6	12,500	22	8	
			9,600	19	7	17,100	28	10	
12,500			22	8	21,900	32	11		
14,300	24	8	26,400	36	12				
17,000	27	9	31,500	40	14				
19,900	30	10	35,300	43	15				

- NOTES:  
 1. ANCHORAGE DESIGNS CONFORM TO ACI 318-11 APPENDIX D WITH NO SUPPLEMENTARY REINFORCEMENT FOR CRACKED OR UNCRACKED CONCRETE AS NOTED.  
 2. ANCHOR STRENGTH INDICATES REQUIRED GRADE OF SSWAB ANCHOR BOLT. STANDARD (ASTM F1554 GRADE 36) OR HIGH STRENGTH (HS) (ASTM A449).  
 3. SEISMIC INDICATES SEISMIC DESIGN CATEGORY C THROUGH F. DETACHED 1 AND 2 FAMILY DWELLINGS IN SDC C MAY USE WIND ANCHORAGE SOLUTIONS. SEISMIC ANCHORAGE DESIGNS CONFORM TO ACI 318-11 SECTION D.3.3.4.  
 4. WIND INCLUDES SEISMIC DESIGN CATEGORY A AND B AND DETACHED 1 AND 2 FAMILY DWELLINGS IN SDC C.  
 5. FOUNDATION DIMENSIONS ARE FOR ANCHORAGE ONLY. FOUNDATION DESIGN (SIZE AND REINFORCEMENT) BY OTHERS. THE REGISTERED DESIGN PROFESSIONAL MAY SPECIFY ALTERNATE EMBEDMENT, FOOTING SIZE OR ANCHOR BOLT.  
 6. REFER TO 1/SSW1 FOR d<sub>e</sub>.

SSWAB TENSION ANCHORAGE SCHEDULE 2500 PSI

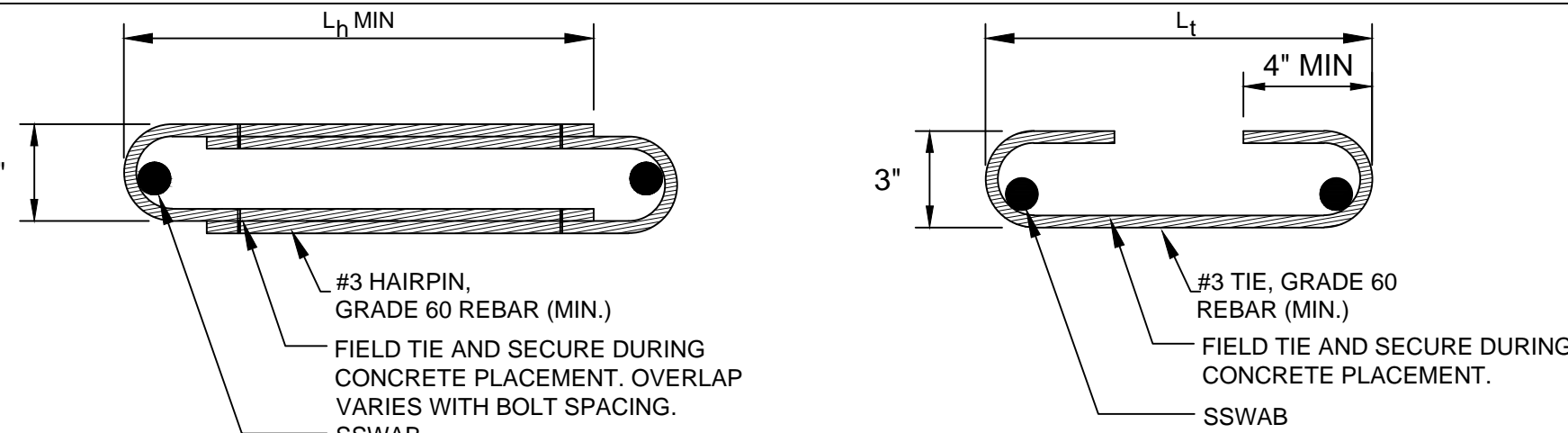
2

STEEL STRONG-WALL ANCHORAGE SOLUTIONS FOR 3500 PSI CONCRETE									
DESIGN CRITERIA	CONCRETE CONDITION	ANCHOR STRENGTH	SSWAB 3/4" ANCHOR BOLT			SSWAB 1" ANCHOR BOLT			
			ASD ALLOWABLE UPLIFT (lbs)	W (in)	d <sub>e</sub> (in)	ASD ALLOWABLE UPLIFT (lbs)	W (in)	d <sub>e</sub> (in)	
SEISMIC	CRACKED	STANDARD	9,000	20	7	15,700	29	10	
		HIGH STRENGTH	9,600	21	7	17,100	31	11	
			18,200	32	11	33,000	46	16	
	UNCRAKED	STANDARD	19,900	34	12	35,300	48	16	
		HIGH STRENGTH	8,800	17	6	15,700	25	9	
			9,600	19	7	17,100	27	9	
WIND	CRACKED	STANDARD	18,600	28	10	32,600	40	14	
		HIGH STRENGTH	19,900	30	10	35,300	42	14	
			6,000	14	6	7,300	16	6	
		UNCRAKED	STANDARD	7,300	16	6	13,500	24	8
			HIGH STRENGTH	9,600	20	7	17,100	29	10
				11,800	22	8	22,700	34	12
	13,500		24	8	27,400	38	13		
	UNCRAKED	STANDARD	17,000	28	10	32,300	42	14	
			19,900	32	11	35,300	45	15	
		HIGH STRENGTH	6,000	12	6	7,500	14	6	
			7,500	14	6	12,800	20	7	
			9,600	17	6	17,100	25	9	
12,800			20	7	21,300	28	10		
14,800	22	8	26,000	32	11				
16,900	24	8	31,300	36	12				
19,900	27	9	35,300	39	13				

- NOTES:  
 1. ANCHORAGE DESIGNS CONFORM TO ACI 318-11 APPENDIX D WITH NO SUPPLEMENTARY REINFORCEMENT FOR CRACKED OR UNCRACKED CONCRETE AS NOTED.  
 2. ANCHOR STRENGTH INDICATES REQUIRED GRADE OF SSWAB ANCHOR BOLT. STANDARD (ASTM F1554 GRADE 36) OR HIGH STRENGTH (HS) (ASTM A449).  
 3. SEISMIC INDICATES SEISMIC DESIGN CATEGORY C THROUGH F. DETACHED 1 AND 2 FAMILY DWELLINGS IN SDC C MAY USE WIND ANCHORAGE SOLUTIONS. SEISMIC ANCHORAGE DESIGNS CONFORM TO ACI 318-11 SECTION D.3.3.4.  
 4. WIND INCLUDES SEISMIC DESIGN CATEGORY A AND B AND DETACHED 1 AND 2 FAMILY DWELLINGS IN SDC C.  
 5. FOUNDATION DIMENSIONS ARE FOR ANCHORAGE ONLY. FOUNDATION DESIGN (SIZE AND REINFORCEMENT) BY OTHERS. THE REGISTERED DESIGN PROFESSIONAL MAY SPECIFY ALTERNATE EMBEDMENT, FOOTING SIZE OR ANCHOR BOLT.  
 6. SEE 1/SSW1 AND 2/SSW1 FOR W AND d<sub>e</sub>.

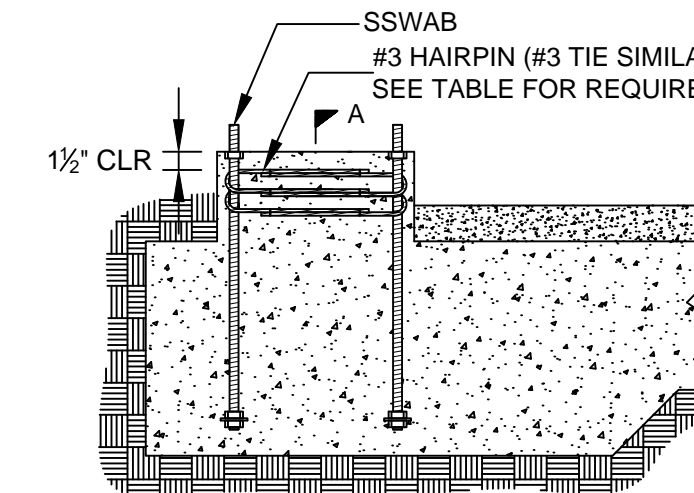
SSWAB TENSION ANCHORAGE SCHEDULE 3500/4500 PSI

3

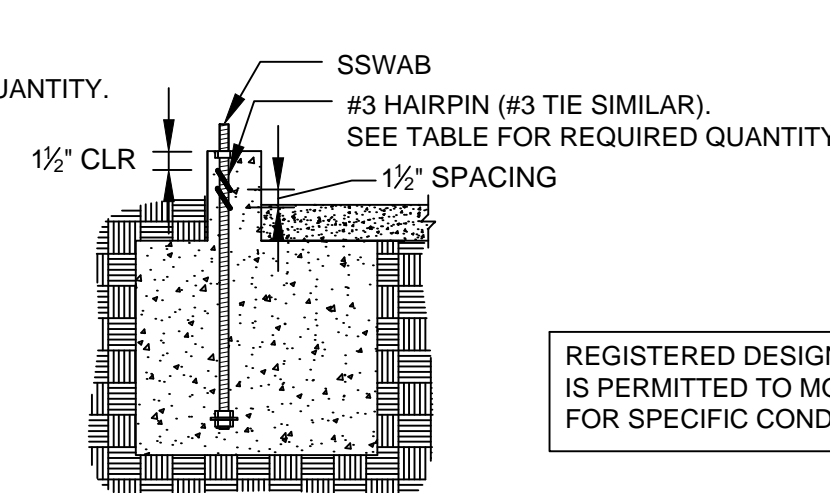


HAIRPIN SHEAR REINFORCEMENT

TIE SHEAR REINFORCEMENT



HAIRPIN INSTALLATION  
(GARAGE CURB SHOWN. OTHER FOOTING TYPES SIMILAR.)



SECTION A-A

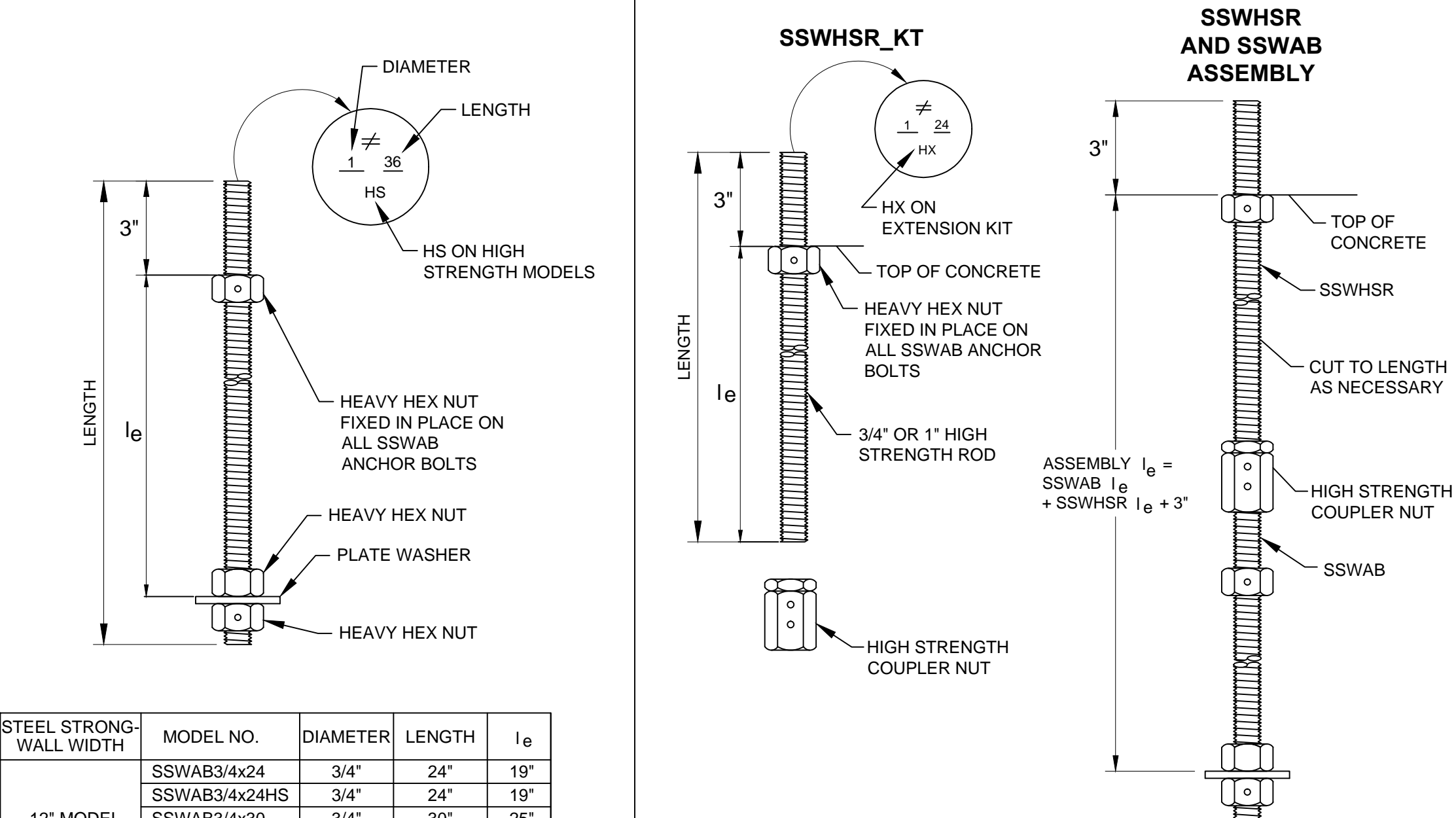
REGISTERED DESIGN PROFESSIONAL IS PERMITTED TO MODIFY DETAILS FOR SPECIFIC CONDITIONS.

STEEL STRONG-WALL SHEAR ANCHORAGE									
MODEL	L <sub>1</sub> OR L <sub>2</sub> (in.)	SEISMIC <sup>3</sup>			WIND <sup>4</sup>				
		SHEAR REINFORCEMENT	MIN. CURB / STEMWALL WIDTH (in.)	SHEAR REINFORCEMENT	MIN. CURB / STEMWALL WIDTH (in.)	ASD ALLOWABLE SHEAR LOAD V (lbs.) <sup>5</sup>			
						6" MIN CURB / STEMWALL		8" MIN CURB / STEMWALL	
UNCRACKED	CRACKED	UNCRACKED	CRACKED						
SSW12	9	(1) #3 TIE	6	NONE REQUIRED	-	1230	880	1440	1030
SSW15	12	(2) #3 TIES	6	NONE REQUIRED	-	1590	1135	1810	1295
SSW18	14	(1) #3 HAIRPIN	8 <sup>5</sup>	(1) #3 HAIRPIN	6	HAIRPIN REINFORCEMENT ACHIEVES MAXIMUM ALLOWABLE SHEAR LOAD OF THE STEEL STRONG-WALL PANEL			
SSW21	15	(2) #3 HAIRPIN	8 <sup>5</sup>	(1) #3 HAIRPIN	6				
SSW24	17	(2) #3 HAIRPIN	8 <sup>5</sup>	(1) #3 HAIRPIN	6				

- NOTES:  
 1. SHEAR ANCHORAGE DESIGNS CONFORM TO ACI 318-11 AND ASSUME MINIMUM f<sub>c</sub> = 2,500 PSI CONCRETE. SEE DETAILS 1/SSW1 TO 3/SSW1 FOR TENSION ANCHORAGE.  
 2. SHEAR REINFORCEMENT IS NOT REQUIRED FOR PANELS INSTALLED ON A WOOD FLOOR, INTERIOR FOUNDATION APPLICATIONS (PANEL INSTALLED AWAY FROM EDGE OF CONCRETE), OR BRACED WALL PANEL APPLICATIONS.  
 3. SEISMIC INDICATES SEISMIC DESIGN CATEGORY C THROUGH F. DETACHED 1 AND 2 FAMILY DWELLINGS IN SDC C MAY USE WIND ANCHORAGE SOLUTIONS.  
 4. WIND INCLUDES SEISMIC DESIGN CATEGORY A AND B.  
 5. MINIMUM CURB/STEMWALL WIDTH IS 6" WHEN STANDARD STRENGTH SSWAB IS USED.  
 6. USE (1) #3 TIE FOR SSW12 AND SSW16 WHEN THE STEEL STRONG-WALL PANEL DESIGN SHEAR FORCE EXCEEDS THE TABULATED ANCHORAGE ALLOWABLE SHEAR LOAD.  
 7. CONCRETE EDGE DISTANCE FOR ANCHORS MUST COMPLY WITH ACI 318-11 D.8.2.

STEEL STRONG-WALL ANCHOR BOLT SHEAR ANCHORAGE

4



STEEL STRONG-WALL WIDTH	MODEL NO.	DIAMETER	LENGTH	l <sub>e</sub>
12" MODEL	SSWAB3/4x24	3/4"	24"	19"
	SSWAB3/4x24HS	3/4"	24"	19"
	SSWAB3/4x30	3/4"	30"	25"
	SSWAB3/4x30HS	3/4"	30"	25"
	SSWAB3/4x36HS	3/4"	36"	31"
	SSWAB1x24	1"	24"	19"
15", 18", 21 AND 24" MODELS	SSWAB1x24HS	1"	24"	19"
	SSWAB1x30	1"	30"	25"
	SSWAB1x30HS	1"	30"	25"
	SSWAB1x36HS	1"	36"	31"
	SSWHSR3/4-2KT	3/4"	24"	21"
	SSWHSR3/4-3KT	3/4"	36"	33"
15", 18", 21 AND 24" MODELS	SSWHSR1-2KT	1"	24"	21"
	SSWHSR1-3KT	1"	36"	33"

SSW WIDTH	MODEL NO.	DIAMETER	TOTAL LENGTH	l <sub>e</sub>
12" MODEL	SSWHSR3/4-2KT	3/4"	24"	21"
	SSWHSR3/4-3KT	3/4"	36"	33"
15", 18", 21 AND 24" MODELS	SSWHSR1-2KT	1"	24"	21"
	SSWHSR1-3KT	1"	36"	33"

SSW ANCHOR BOLTS

5

SSW ANCHOR BOLT EXTENSION

6

SSW ANCHOR BOLT TEMPLATES

7

NO.	DATE	REVISIONS
1	9/21/2009	2006 IBC REVISIONS
2	4/16/2014	2012 IBC REVISIONS

**SIMPSON STRONG-TIE COMPANY, INC.**  
 HOME OFFICE: 5956 W. LAS POSITAS BLVD. PLEASANTON, CA 94588  
 TEL: (800) 999-5099

**SIMPSON Strong-Tie**  
 THERE IS NO EQUAL

STEEL STRONG-WALL ANCHORAGE DETAILS ENGINEERED DESIGNS

**SIMPSON Strong-Tie**  
 THERE IS NO EQUAL

NAME	
DATE	4-16-2014
SCALE	N.T.S.
CHECKED	
SHEET	SSW1
OF SHEETS	
JOB NO.	